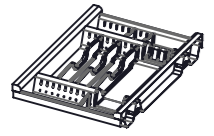
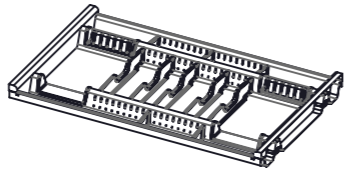
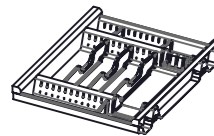
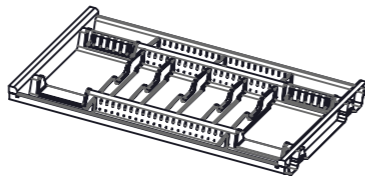
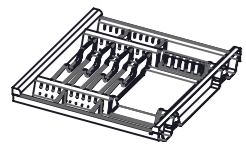
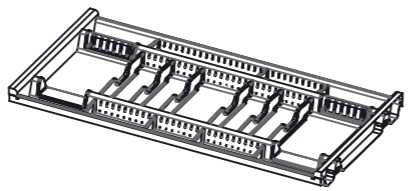
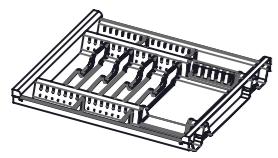
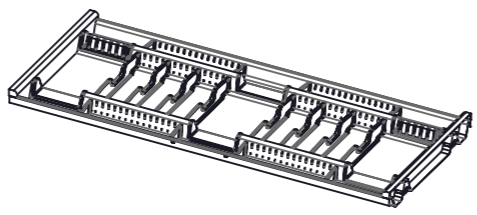
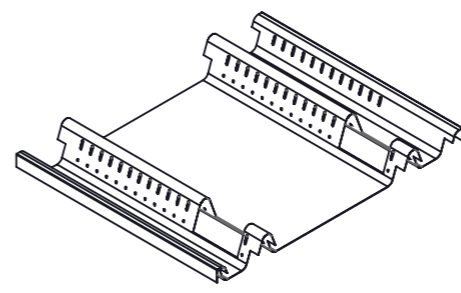
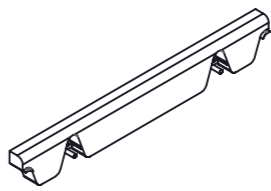


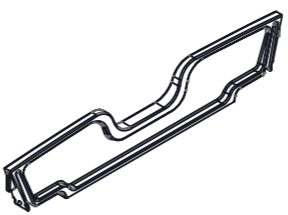

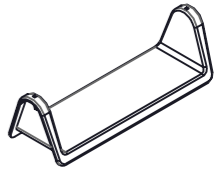
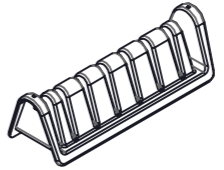
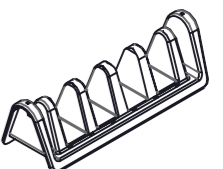


|   |  |
|---|--|
| R240  | R280   |
|    |    |
| E (X3), F (X3), G (X1), H (X1)  | E (X5), F (X5), G (X2), H (X1), I (X1)   |
| R245  | R290   |
|    |    |
| E (X3), F (X3), G (X1), H (X1)  | E (X5), F (X5), G (X2), H (X1), I (X1)   |
| R250  | R300   |
|  |  |
| E (X4), F (X4), G (X1), H (X1)  | E (X6), F (X7), G (X2), H (X1), I (X1)   |
| R260  | R320   |
|  |  |
| E (X4), F (X4), G (X1), H (X1)  | E (X8), F (X8), G (X4), H (X1), I (X1)   |

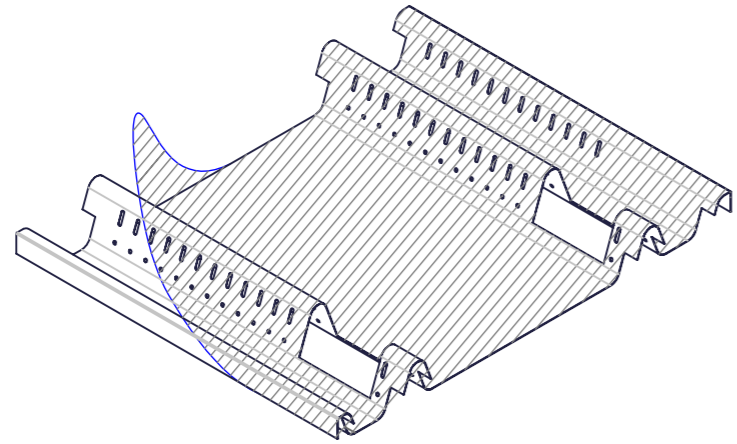
# نم الة

1 9 5 4

## FLEXO

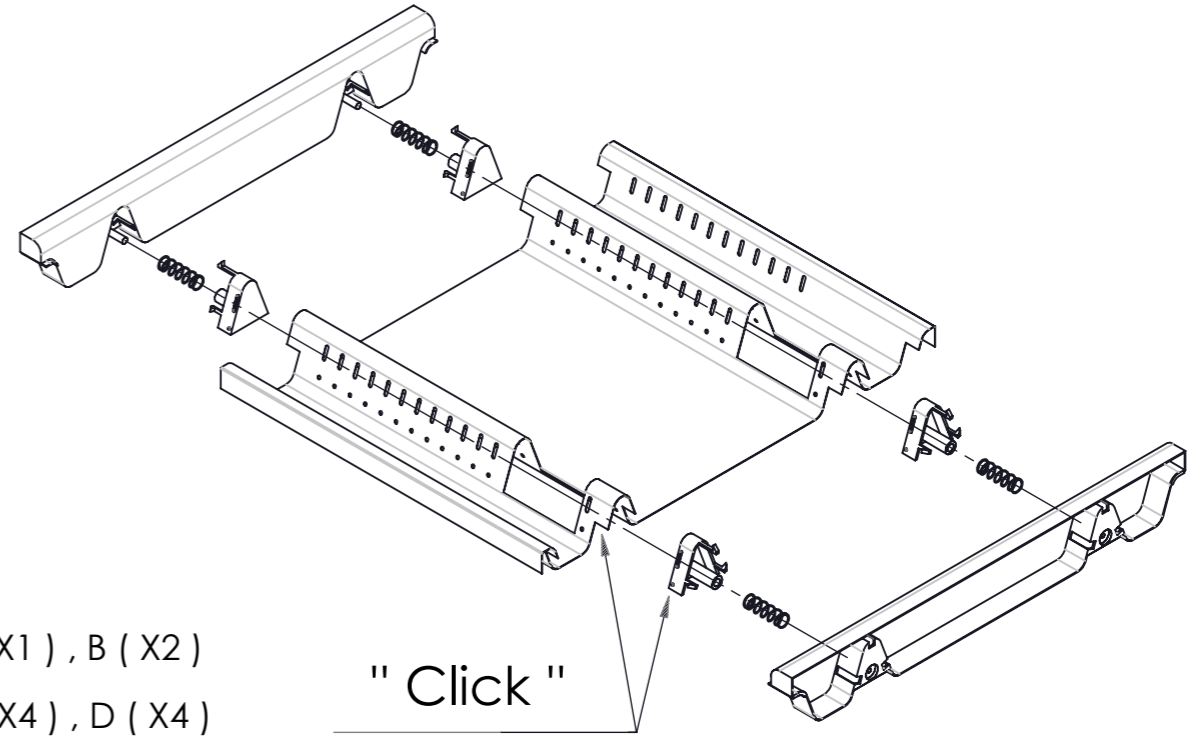
| COMPONENTS  |   |   |   |
|---|---|---|---|
| <br>A (X1) | <br>B (X2) | <br>C (X4) | <br>D (X4) |
| <br>E      | <br>F      | <br>G      |   |
|   | <br>H      | <br>I      |   |

1



Remove The Plastic Protection

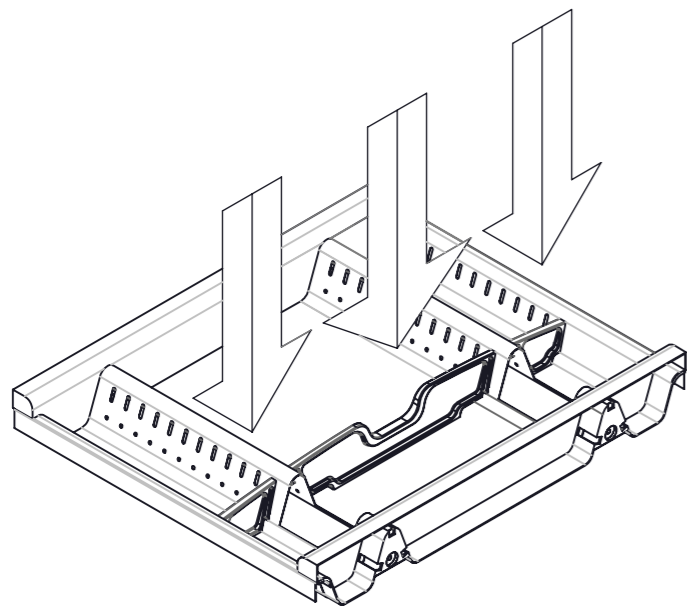
2



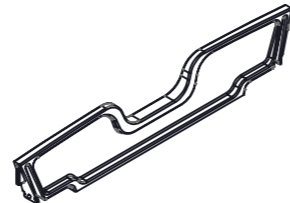
A ( X1 ) , B ( X2 )  
C ( X4 ) , D ( X4 )

" Click "

3



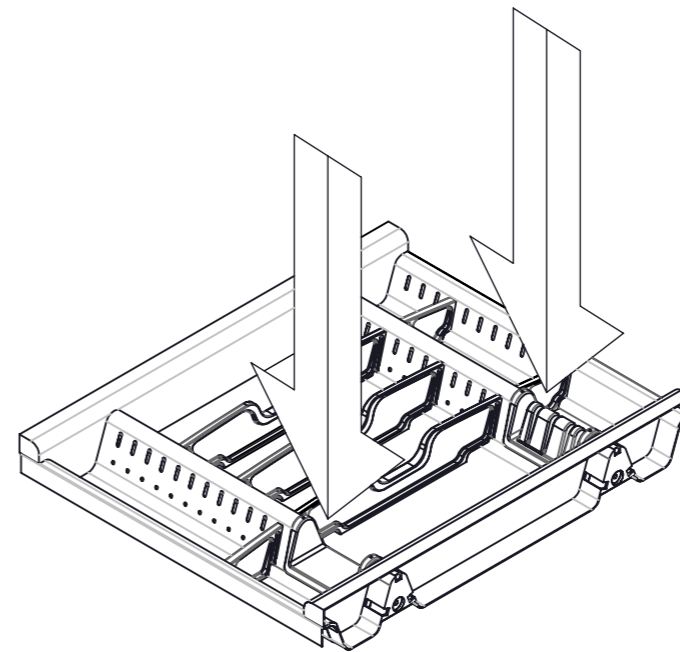
E



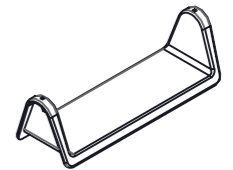
F



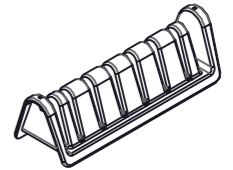
4



G



H



I

